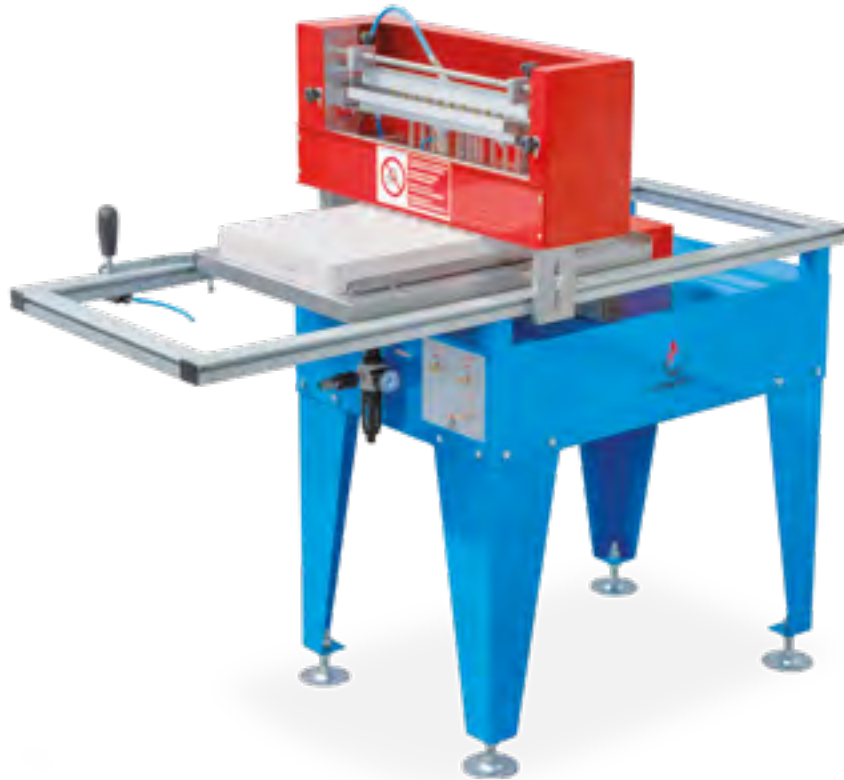


SEMSF13

up to 1700 rows/hour - ROW SEEDER



VARIANT

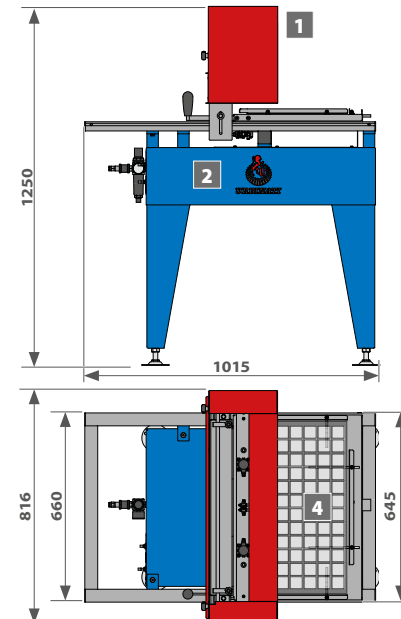
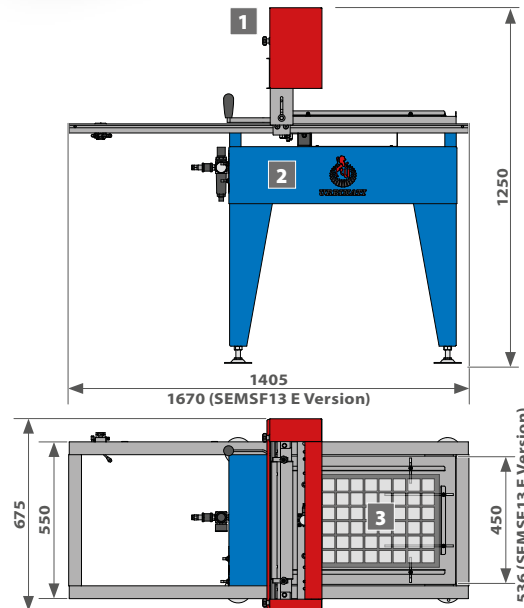
TRANSVERSAL - up to 1700 rows/hour



MACHINE DESCRIPTION

The SEMSF13 row seeder with pneumatic working is suitable for every kind of tray and seed, naked and pelleted.

Complete of automatic dibbler.



MACHINE DESCRIPTION

Thanks to the transversal positioning of the tray, the "T" TRANSVERSAL variant of the row seeder, allows a higher hourly production.

TECHNICAL DATA

HOURLY PRODUCTION (max)

TRAYS DIMENSIONS (max)

TRAYS HEIGHT (max)

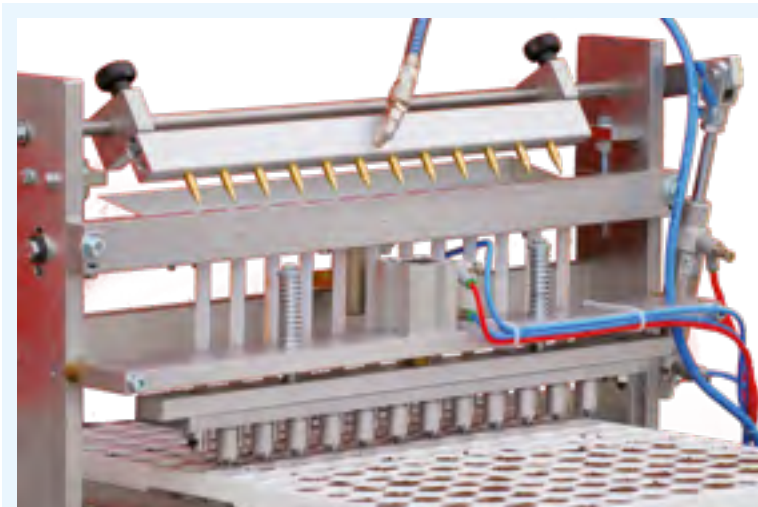
WEIGHT

VACUUM PUMP

AIR CONSUMPTION (max)

KIT OF NOZZLES





Seeding bar kit assembled on the seeder.

TECHNICAL SPECIFICATIONS

- 1 Seeding head with nozzles and dibbler.
- 2 Movement of the seeding table with automatic step.
- 3 Longitudinal tray advancement.
- 4 Transversal tray advancement.

page 40-43

ACCESSORIES

M.U.	SEMSF13	SEMSF13 E	"T" VARIANT
rows/hour	1700	1700	1700
mm	600x400	750x500	600x400
mm	150	150	150
kg	80	85	85
model	Venturi System	Venturi System	Venturi System
l/min	190	190	190
mm	0,20 - 0,25 - 0,30 - 0,35 - 0,40 - 0,50 - 0,60 - 0,70		

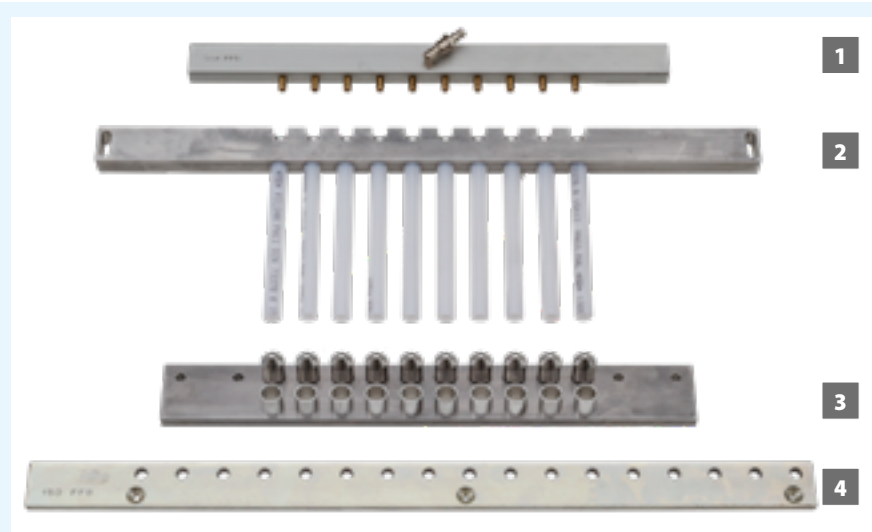
The seeding bar kit is supplied according to the seed and to the trays used.

Kit includes:

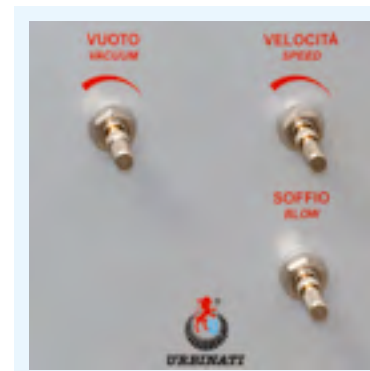
- 1 **Nozzle bar** with spacer for nozzles supplied with the seeder.
- 2 **Tube descent bar.** Inner diameter available for the descent tubes: 6, 8, 12 or 17 mm.
- 3 **Dibbler bar.**
- 4 **Advancement bar.**

Other accessories:

- 5 **Silicone** nozzles.
 - 6 **Silicone** nozzles with **brass end.**
 - 7 **Multi-seed** nozzles.
 - 8 **Single-hole** nozzles (equipped with the machine).
- Bigger **vacuum.**



Nozzles kit - tools and remaining seed aspirator supplied with the machine.



Control panel.